

AIR SEALING AT SKYLIGHT SHAFT

TBC_D-4

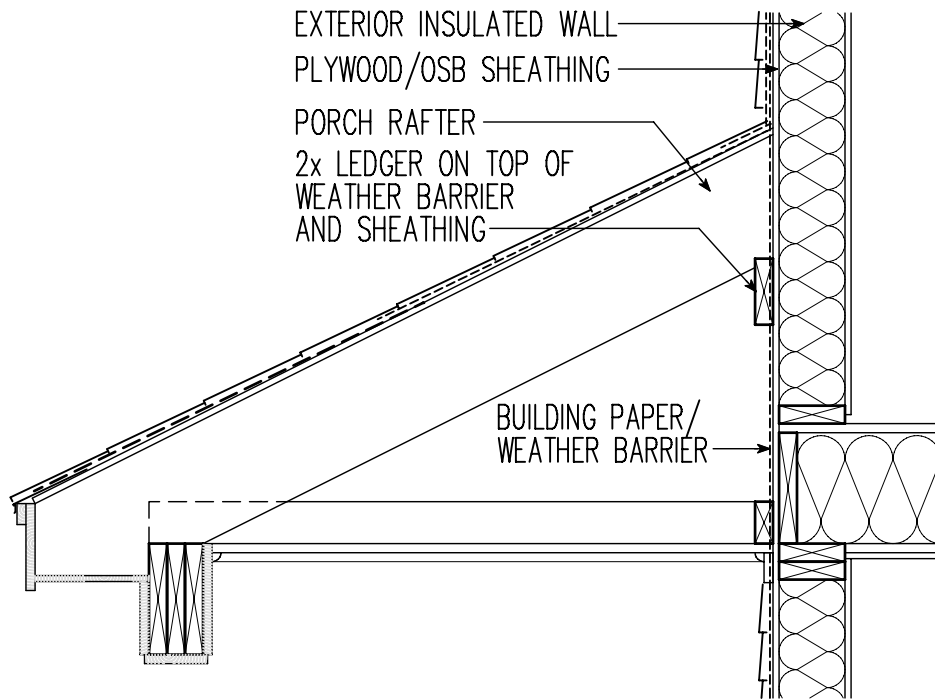
TBC_D-4

GreenBuildingAdvisor.com

©BuildingGreen LLC 2008

Scale: 1 1/2" = 1'-0"

5-02042



AIR SEALING AT PORCH ROOF AT 1/2" PLYWOOD EXTERIOR SHEATHING

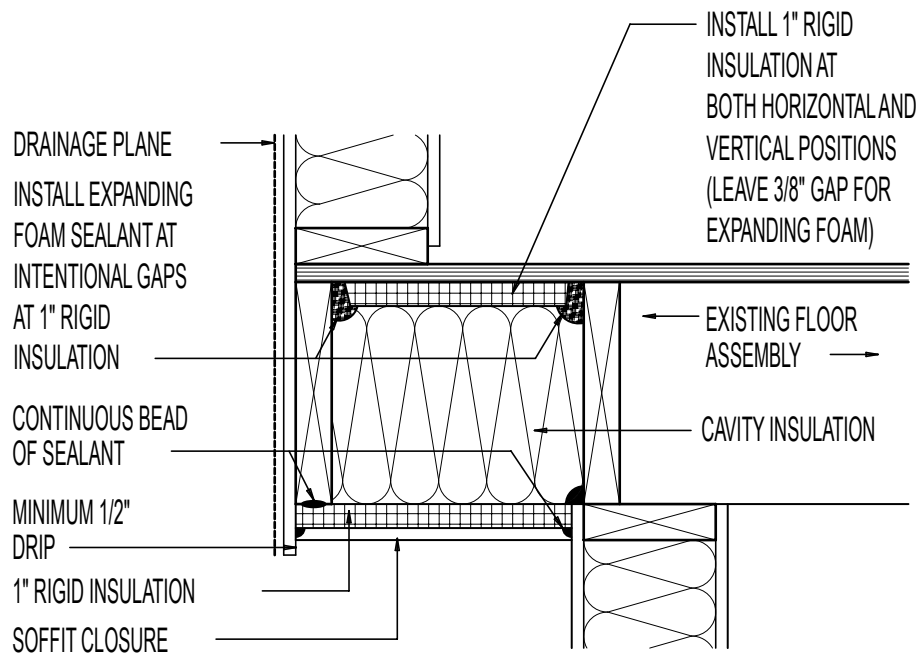
TBC_D-14

5-02045

GreenBuildingAdvisor.com

©BuildingGreen LLC 2008

Scale: 3/4" = 1'-0"



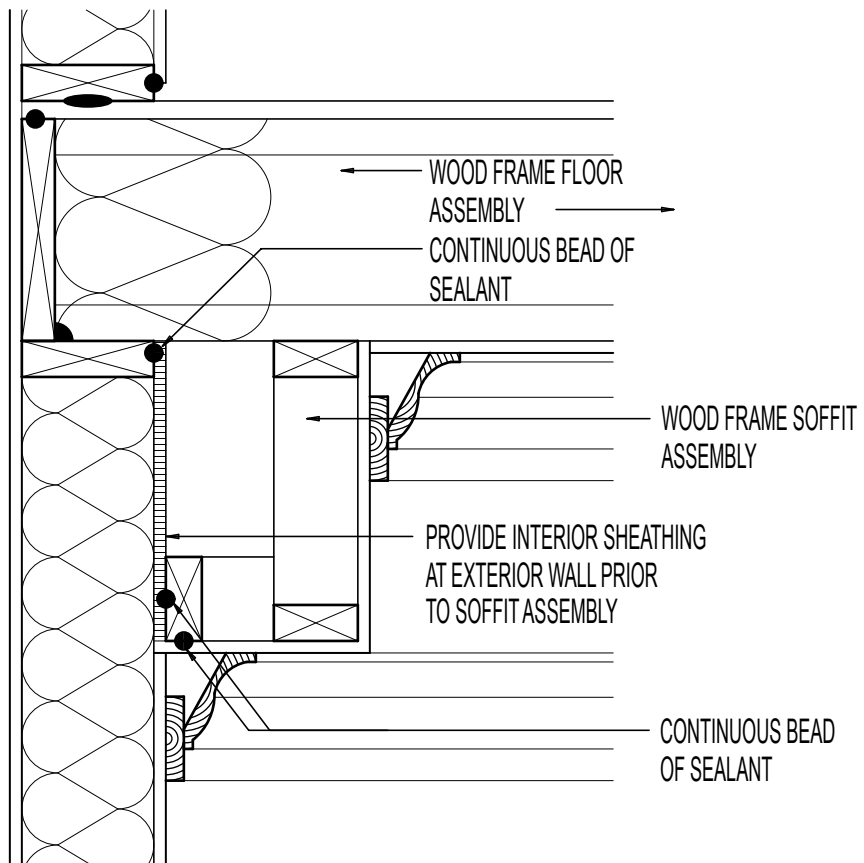
INSULATED CANTILEVER FLOOR // CAVITY INSULATION WITH
1" RIGID INSULATION CLOSURE

5-01019

GreenBuildingAdvisor.com

© BuildingGreen LLC 2008

Scale: 1 1/2" = 1'-0"



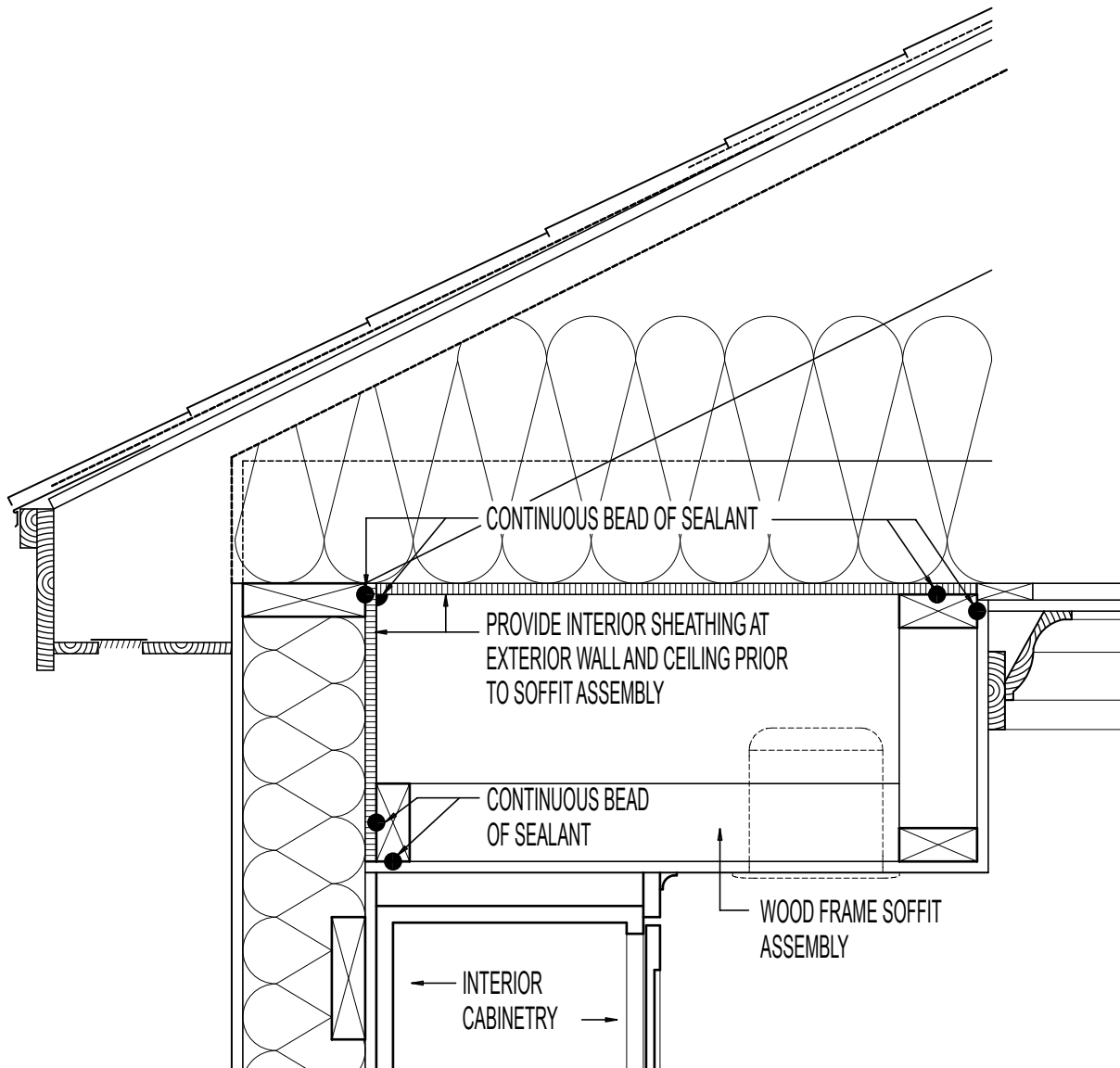
AIR SEAL AT BUILT-OUT SOFFIT

5-01026

GreenBuildingAdvisor.com

© BuildingGreen LLC 2008

Scale: 1 1/2" = 1'-0"



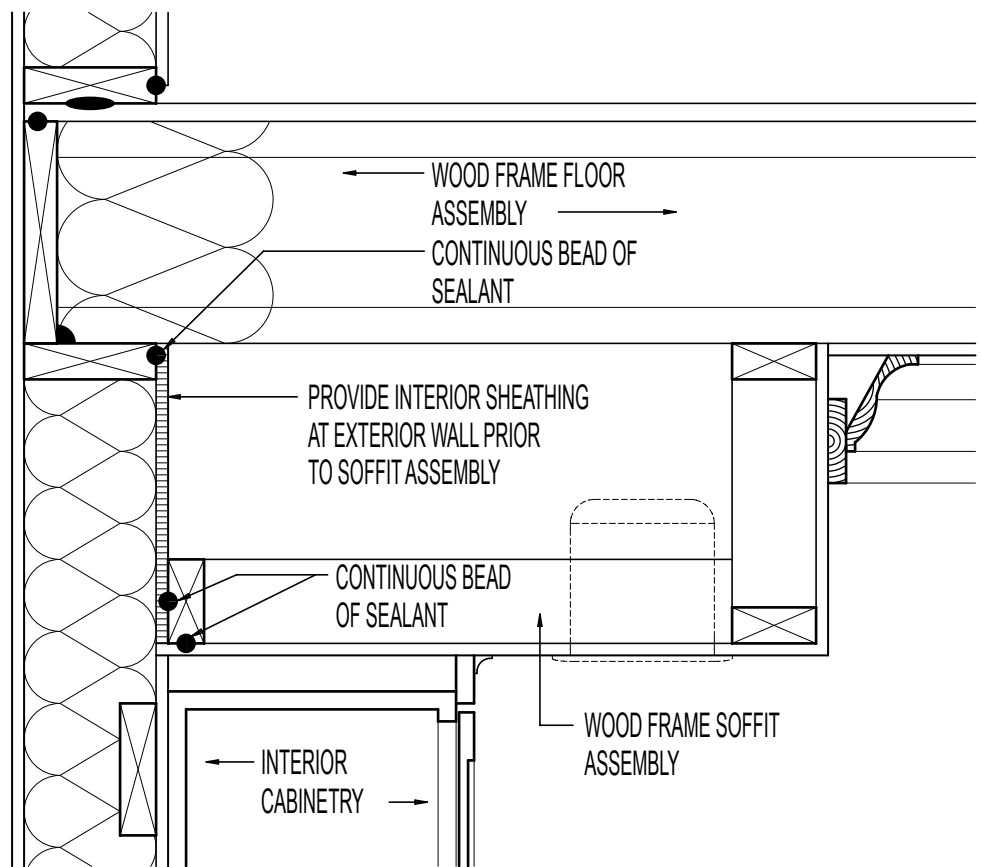
AIR SEAL AT CABINET SOFFIT // SINGLE-STORY

5-01027

GreenBuildingAdvisor.com

© BuildingGreen LLC 2008

Scale: 1 1/2" = 1'-0"



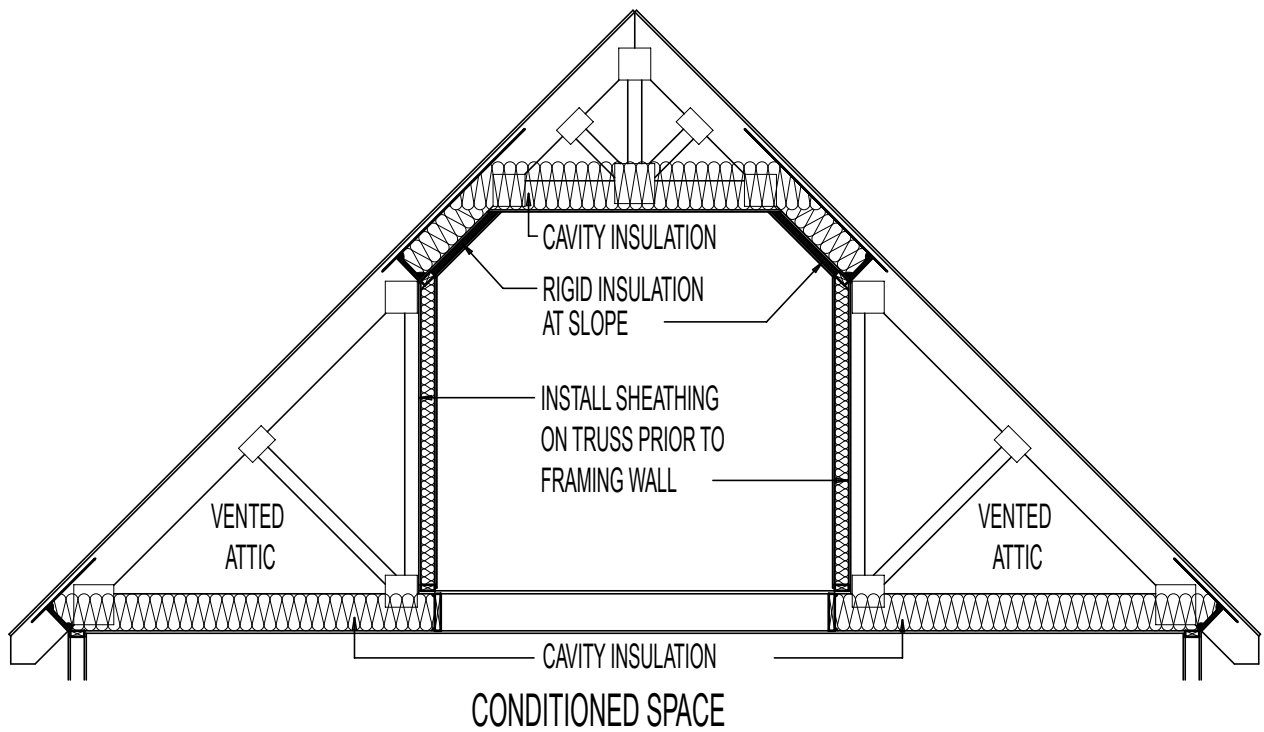
AIR SEAL AT CABINET SOFFIT // TWO-STORY

5-01032

GreenBuildingAdvisor.com

© BuildingGreen LLC 2008

Scale: 1 1/2" = 1'-0"



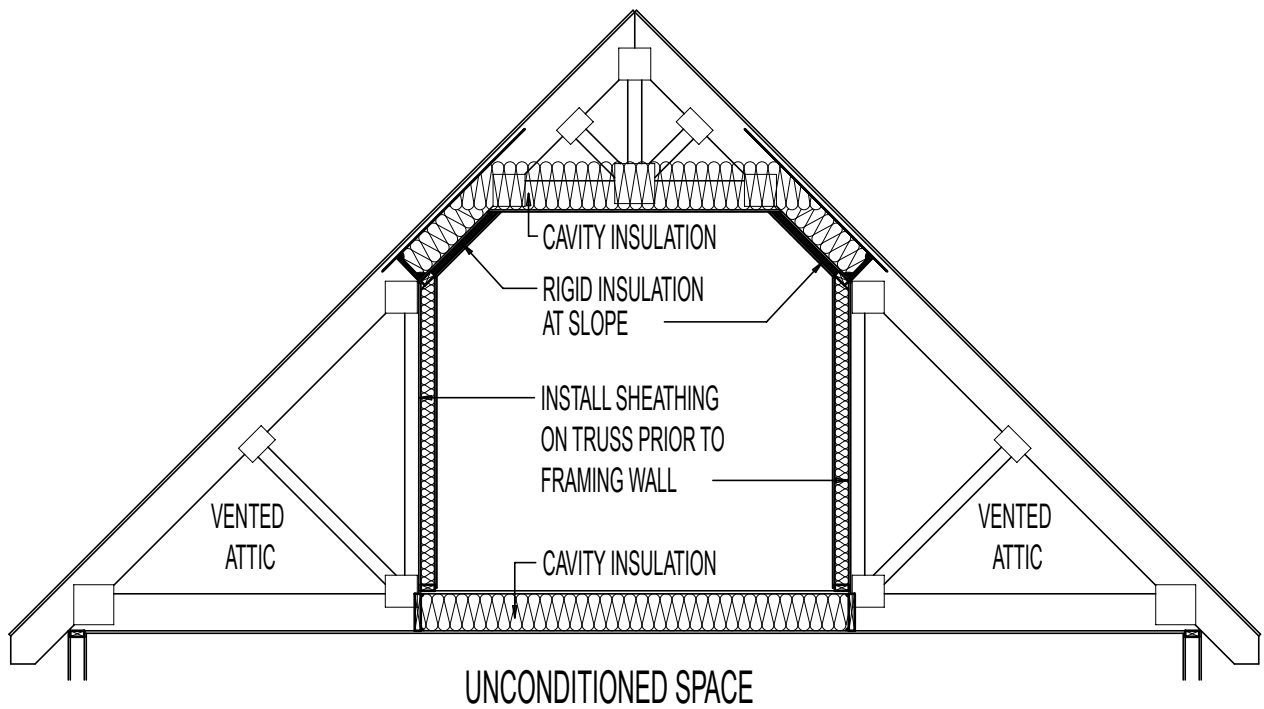
CONCEPTUAL INSULATION PRACTICE AT ATTIC-STYLE TRUSS SYSTEM //
 ABOVE CONDITIONED SPACE

GreenBuildingAdvisor.com

© BuildingGreen LLC 2008

Scale: 1/4" = 1'-0"

5-01035



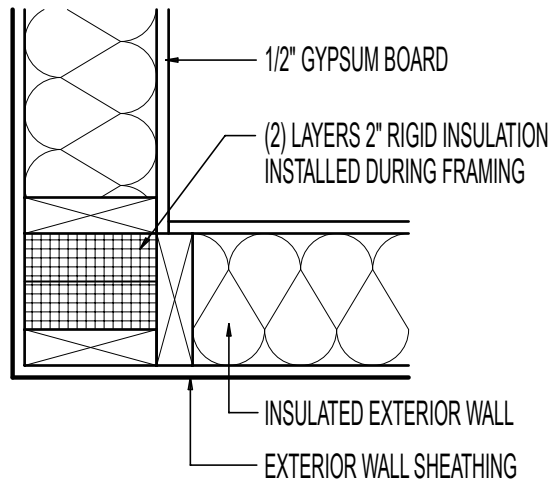
CONCEPTUAL INSULATION PRACTICE AT ATTIC-STYLE TRUSS SYSTEM //
 ABOVE UNCONDITIONED SPACE

GreenBuildingAdvisor.com

© BuildingGreen LLC 2008

Scale: 1/4" = 1'-0"

5-01015



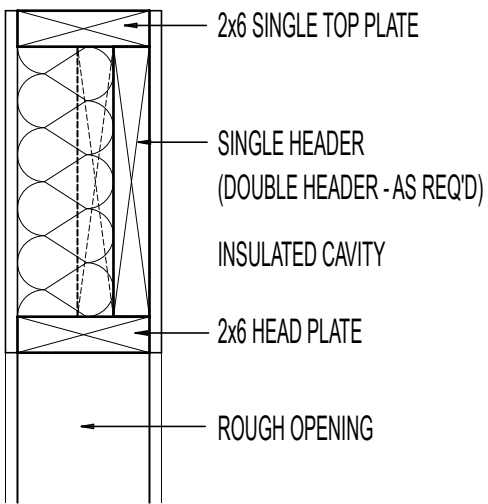
3-STUD CORNER WITH RIGID INSULATION

GreenBuildingAdvisor.com

© BuildingGreen LLC 2008

Scale: 1 1/2" = 1'-0"

5-00007

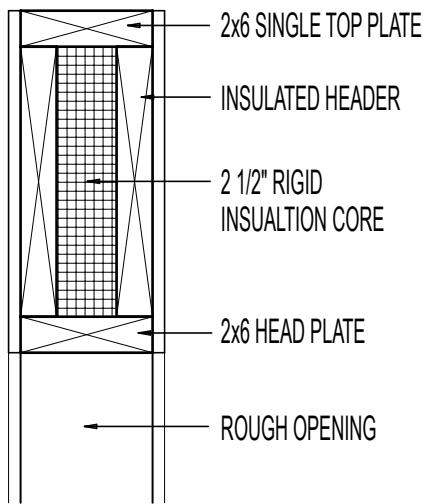


OUTSET HEADER WITH HEAD PLATE

GreenBuildingAdvisor.com
© BuildingGreen LLC 2008

Scale: 1 1/2" = 1'-0"

5-00013



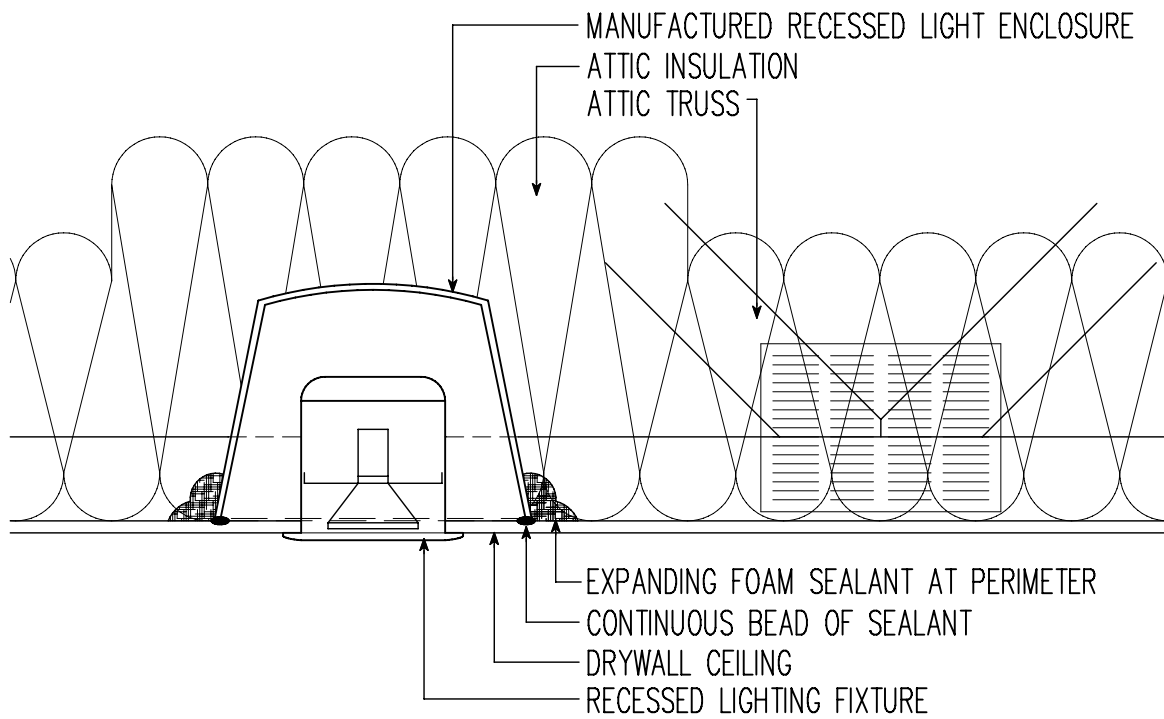
SITE-BUILT INSULATED HEADER

GreenBuildingAdvisor.com

© BuildingGreen LLC 2008

Scale: 1 1/2" = 1'-0"

5-00014



AIR SEALING AT RECESSED LIGHTING IN ATTIC

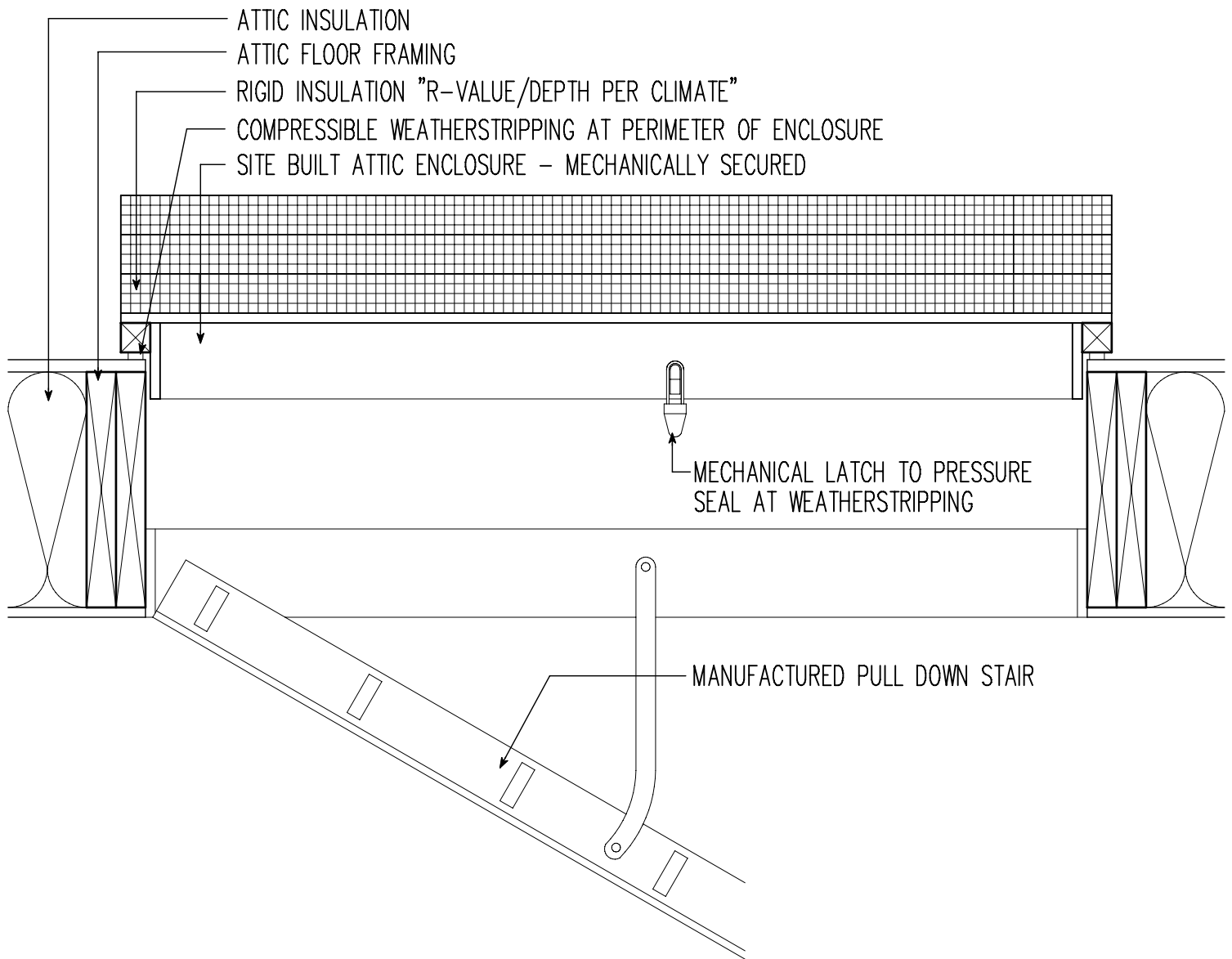
TBC_D-13

5-02041

GreenBuildingAdvisor.com

©BuildingGreen LLC 2008

Scale: 1 1/2" = 1'-0"



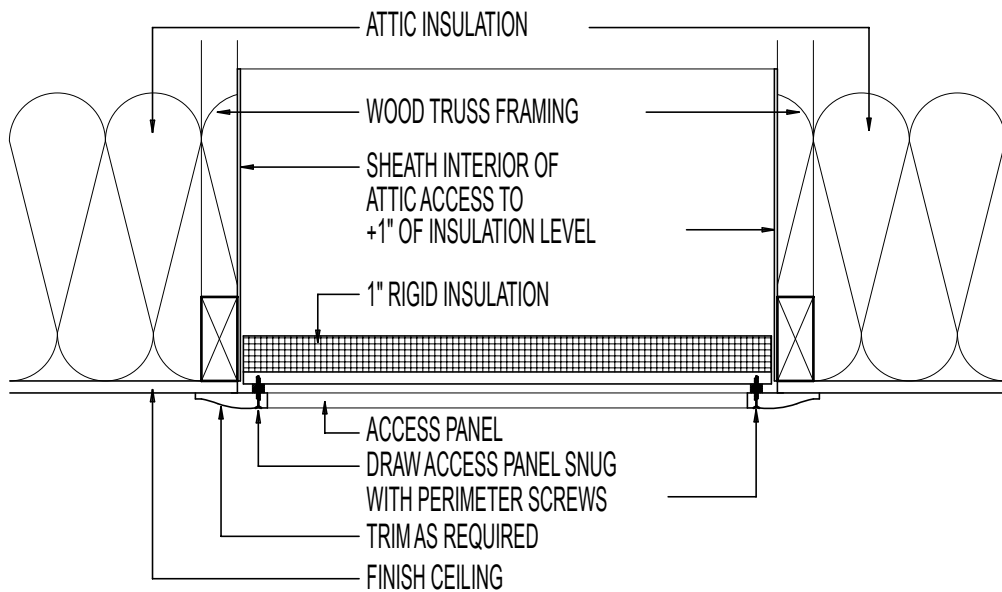
AIR SEALING AT ATTIC PULL DOWN ATTIC STAIR

GreenBuildingAdvisor.com
 ©BuildingGreen LLC 2008

Scale: 1 1/2" = 1'-0"

TBC_D-5

5-02048



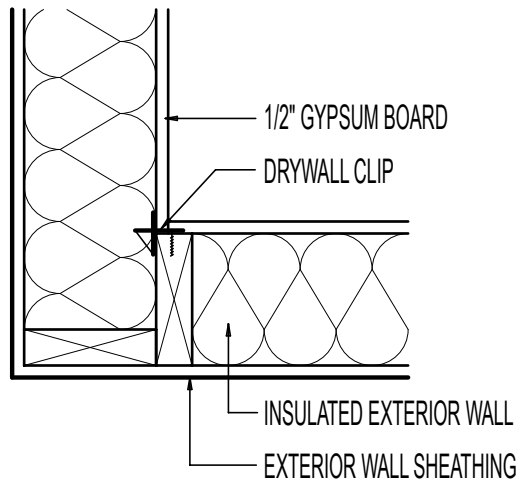
AIR SEALING AT ATTIC HATCH // FINISH SCREWS

GreenBuildingAdvisor.com

© BuildingGreen LLC 2008

Scale: 1 1/2" = 1'-0"

5-02022

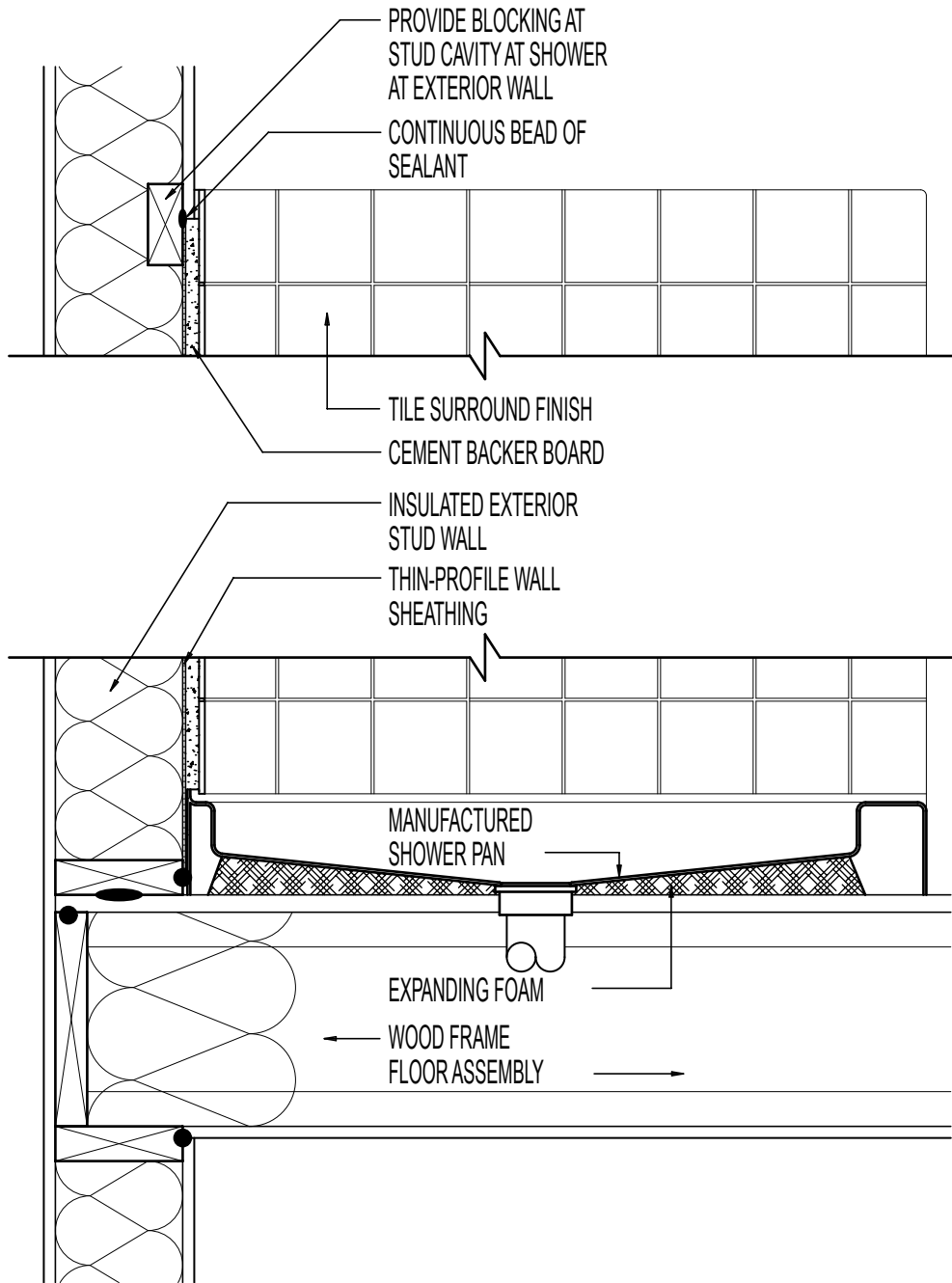


2-STUD CORNER WITH DRYWALL CLIPS

GreenBuildingAdvisor.com
© BuildingGreen LLC 2008

Scale: 1 1/2" = 1'-0"

5-00005



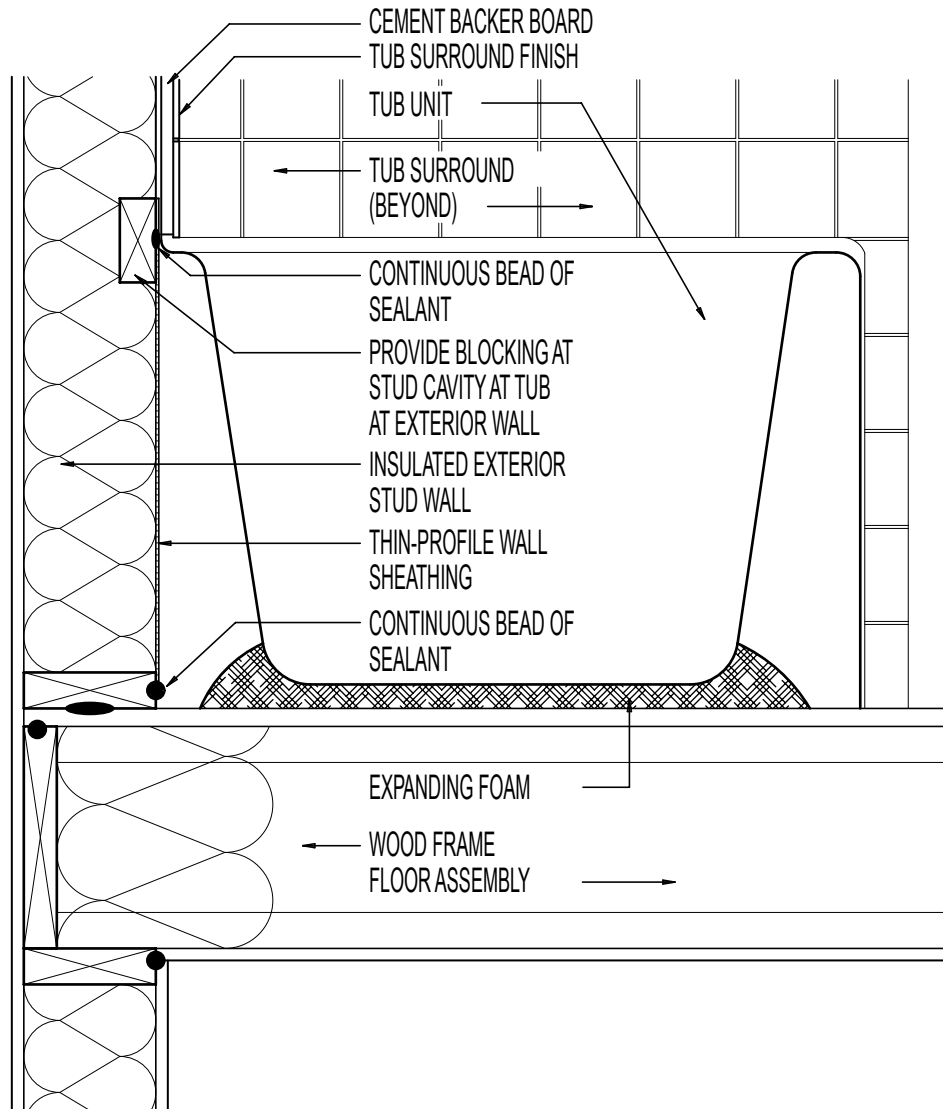
AIR SEALING BEHIND SHOWER WITH THIN-PROFILE SHEATHING

GreenBuildingAdvisor.com

© BuildingGreen LLC 2008

Scale: 1 1/2" = 1'-0"

5-01007



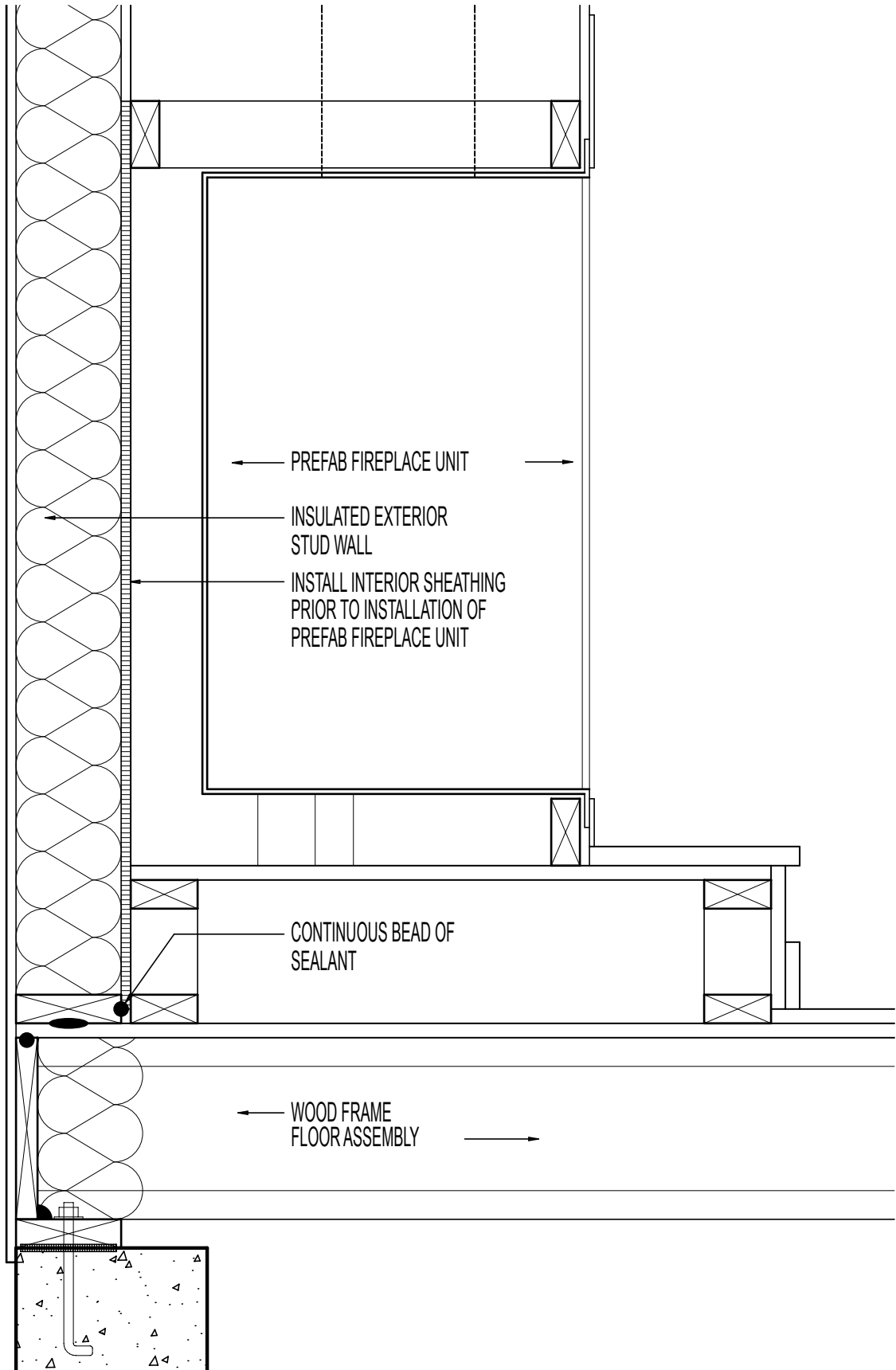
AIR SEALING BEHIND TUB WITH THIN-PROFILE SHEATHING // SECTION

GreenBuildingAdvisor.com

© BuildingGreen LLC 2008

Scale: 1 1/2" = 1'-0"

5-01009



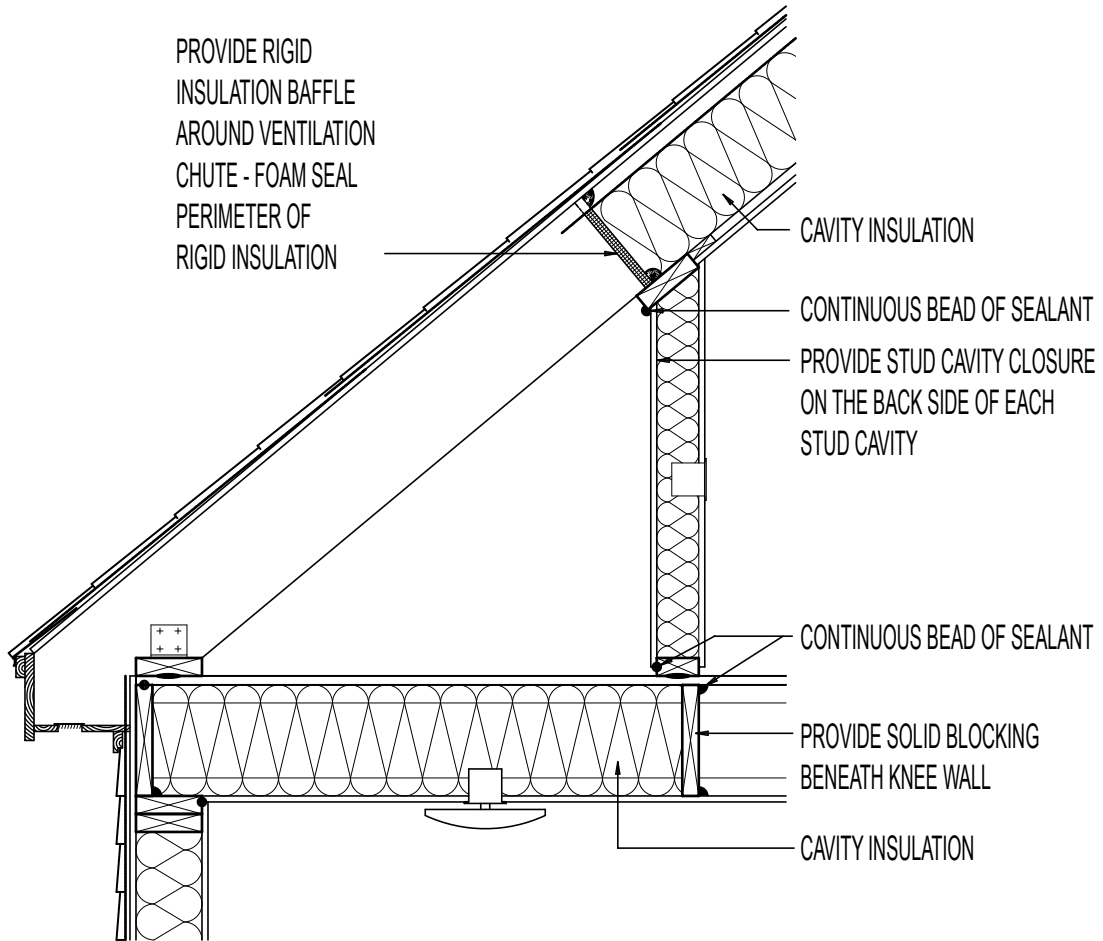
AIR SEALING AT PLATFORM FOR MANUFACTURED
FIREPLACE ASSEMBLY

GreenBuildingAdvisor.com

© BuildingGreen LLC 2008

Scale: 1 1/2" = 1'-0"

5-01012



CONCEPTUAL INSULATION AT CAPE-STYLE ROOF //
 CEILING AND KNEE WALL CAVITY INSULATION

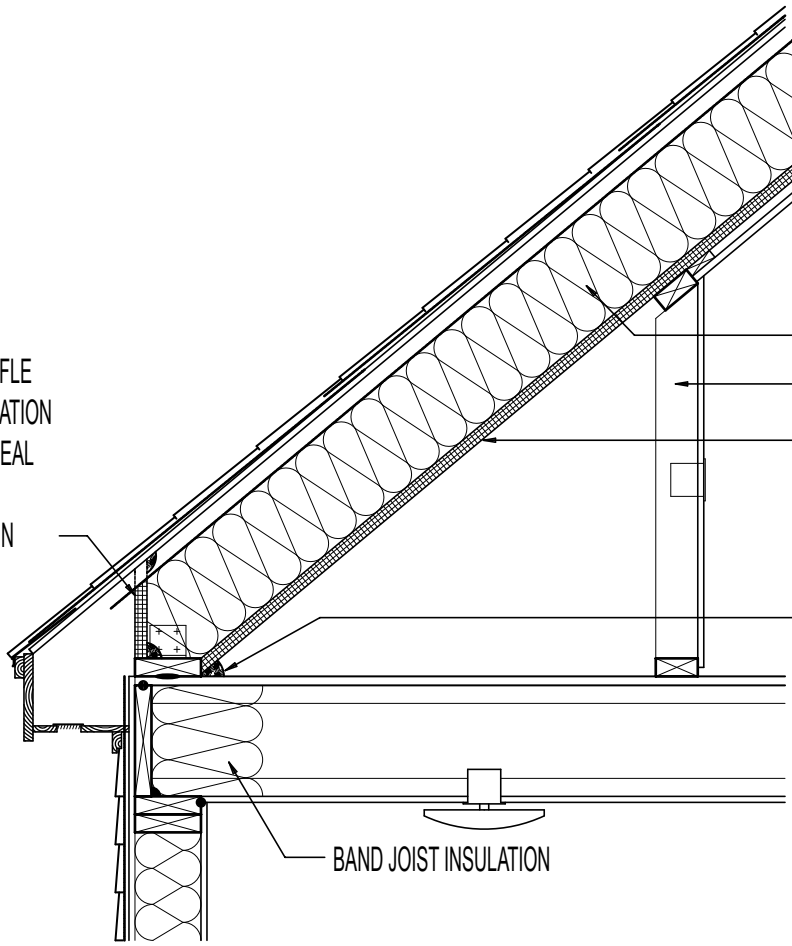
5-01013

GreenBuildingAdvisor.com

© BuildingGreen LLC 2008

Scale: 3/4" = 1'-0"

PROVIDE RIGID
INSULATION BAFFLE
AROUND VENTILATION
CHUTE - FOAM SEAL
PERIMETER OF
RIGID INSULATION



CAVITY INSULATION
UNINSULATED KNEE WALL
RIGID INSULATION
CLOSURE AT INTERIOR
OF RAFTER CAVITY
EXPANDING FOAM SEALANT
AT RIGID INSULATION/
SUBFLOOR INTERFACE

BAND JOIST INSULATION

CONCEPTUAL INSULATION AT CAPE-STYLE ROOF //
ROOF CAVITY INSULATION WITH RIGID INSULATION CLOSURE

GreenBuildingAdvisor.com

© BuildingGreen LLC 2008

Scale: 3/4" = 1'-0"

5-01014